

Norwell Lighting

Product Name **Bradford**
 Model Number **8201 8202 8203**
 Project Name _____
 Fixture Type _____ Quantity _____

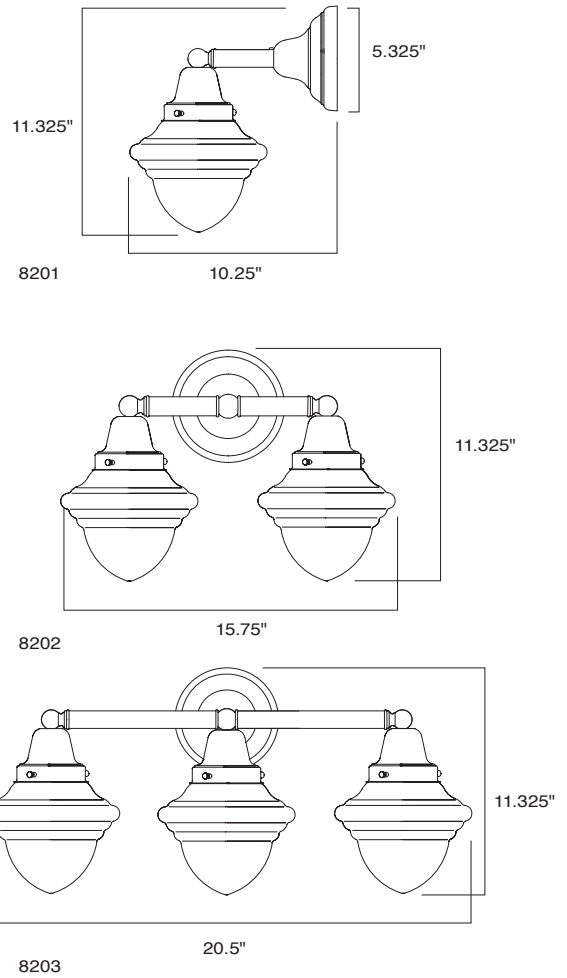


Bradford- 8201-PN-AC
 Polished Nickel (PN)
 Acorn (AC)

Bradford- 8202-BN-AC
 Brushed Nickel (BN)
 Acorn (AC)

Bradford- 8203-PN-AC
 Polished Nickel (PN)
 Acorn (AC)

Bradford Flush
 8201F



Product Name / Model / Dimensions					Finish Options	Glass	Lamping Options
Bradford 1 Light - 8201 Bradford 2 Light - 8202 Bradford 3 Light - 8203					Standard Brushed Nickel (BN) Polished Nickel (PN)	Standard Acorn (AC) 6.25" H x 6.75" W	Standard Incandescent 8201 - (1) 75 Watt Edison 8202 - (2) 75 Watt Edison 8203 - (3) 75 Watt Edison
Series	Height	Width	Projection	Backplate			
8201	11"	6.5"	10"	5.8"			
8202	11"	16"	10"	5.8"			
8203	11"	24"	10"	5.8"			

11_2016