

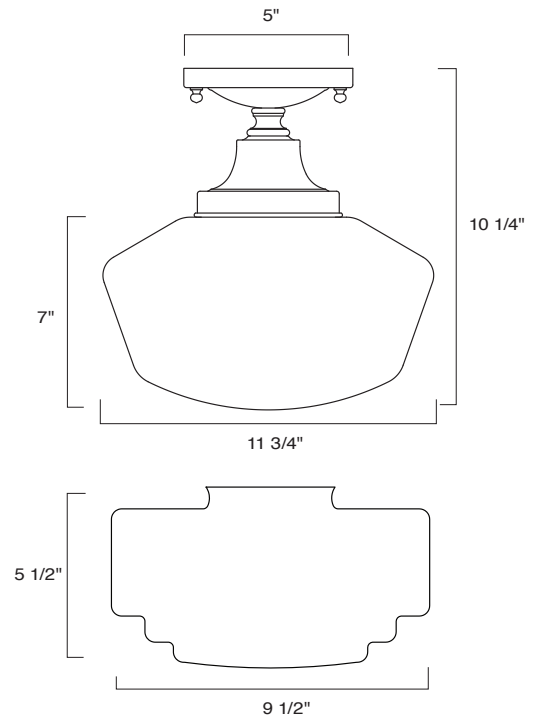
# Norwell Lighting

Product Name **Schoolhouse**  
 Model Number **5361F**  
 Project Name \_\_\_\_\_  
 Fixture Type \_\_\_\_\_ Quantity \_\_\_\_\_



Schoolhouse  
5361F-PN-CL  
Polished Nickel (PN)  
Clear Glass (CL)

Schoolhouse  
5361F-OB-CL  
Oil Rubbed Bronze (OB)  
Clear Glass (CL)



Schoolhouse  
5361F-OB-ST  
Oil Rubbed Bronze (OB)  
Stepped Glass (ST)



Schoolhouse  
5361F-BN-SO  
Brushed Nickel (BN)  
Shiny Opal (SO)

INC

Product Name / Model / Dimensions			Finish Options	Glass Options	Lamping Options
Schoolhouse - 5361F			<b>Standard</b> Brushed Nickel (BN) Oil Rubbed Bronze (OB) Polished Nickel (PN)	<b>Standard</b> Clear Glass (CL) Shiny Opal (SO) Stepped (ST)	<b>Standard</b> Incandescent (1) 100 Watt Edison
Glass	Height	Width			
Clear or Shiny Opal	10 1/4"	11 3/4"			
Stepped	10 1/4"	9 1/2"			
Canopy 5" diameter					

1\_2018