

# Norwell Lighting

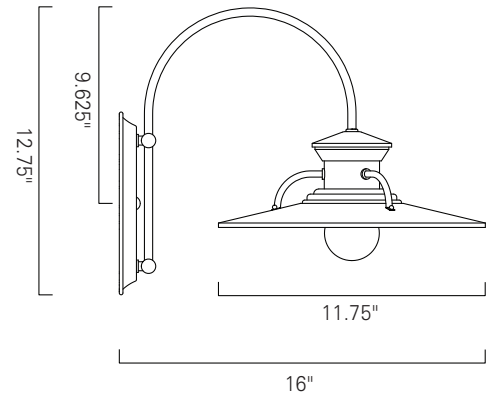
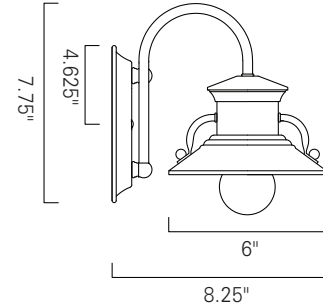
Product Name **Budapest**  
 Model Number **5153 5155**  
 Project Name \_\_\_\_\_  
 Fixture Type \_\_\_\_\_ Quantity \_\_\_\_\_



Budapest Large - 5155  
 Galvanized (GA) No Glass (NG)



Budapest Small - 5153  
 Copper (CO) No Glass (NG)



INC

| Product Name / Model / Dimensions                          |        |        |            |       | Finish Options                                    | Glass                            | Lamping Options                                       |
|--|--------|--------|------------|-------|---|----------------------------------|---|
| Budapest Small - 5153<br>Budapest Large - 5155             |        |        |            |       | <b>Standard</b><br>Copper (CO)<br>Galvanized (GA) | <b>Standard</b><br>No Glass (NG) | <b>Standard</b><br>Incandescent<br>(1) 60 Watt Edison |
|  | Height | Width  | Projection | TTO   |   |                                  |   |
| 5153   | 7.75"  | 6"     | 8.25"      | 4.625 |   |                                  |   |
| 5155   | 12.75" | 11.75" | 16"        | 9.625 |   |                                  |   |
| Backplate Small 6" Diameter<br>Backplate Large 8" Diameter |        |        |            |       |   |                                  |   |

7\_2016